

INSTALLATION INSTRUCTIONS

OUTLAW BUMPER HITCH ACCESSORY

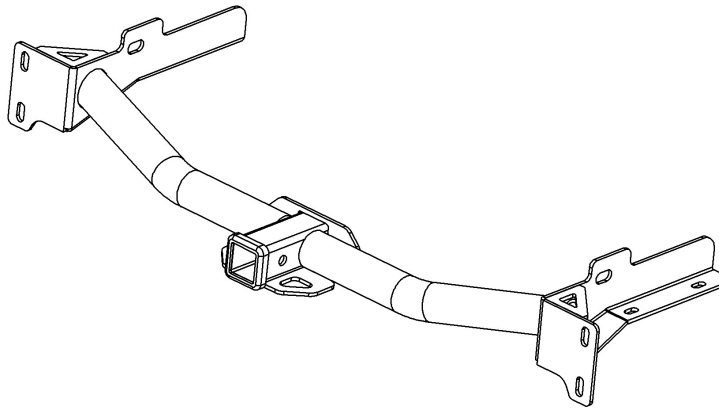


APPLICATION: Chevrolet/GMC
Silverado/Sierra 1500 2019-2020 (Excl. 2019 Silverado LD/ Sierra 1500 Limited) (Accessory for Outlaw Rear Bumper Only)
PART NUMBER:
58-81215H

CONTENT			
ITEM	QUANTITY	DESCRIPTION	TOOLS NEEDED
1	1	OUTLAW HITCH	21MM SOCKET
2	2	M12 HEX HEAD BOLT	RATCHET
3	4	M12 HEX NUT	TORQUE WRENCH
4	6	M12 FLAT WASHER	18MM SOCKET
5	4	M12 SPLIT LOCK WASHER	
6	2	M14 HEX HEAD BOLT	
7	2	M14 HEX NUT	
8	4	M14 FLAT WASHER	
9	2	M14 SPLIT LOCK WASHER	
10	2	M12 FISH WIRE	
11	2	M12 BOLT PLATE	

ANTI-SEIZE LUBRICANT MUST BE USED ON ALL STAINLESS STEEL FASTENERS TO PREVENT THREAD DAMAGE AND GALLING

ITEM 1

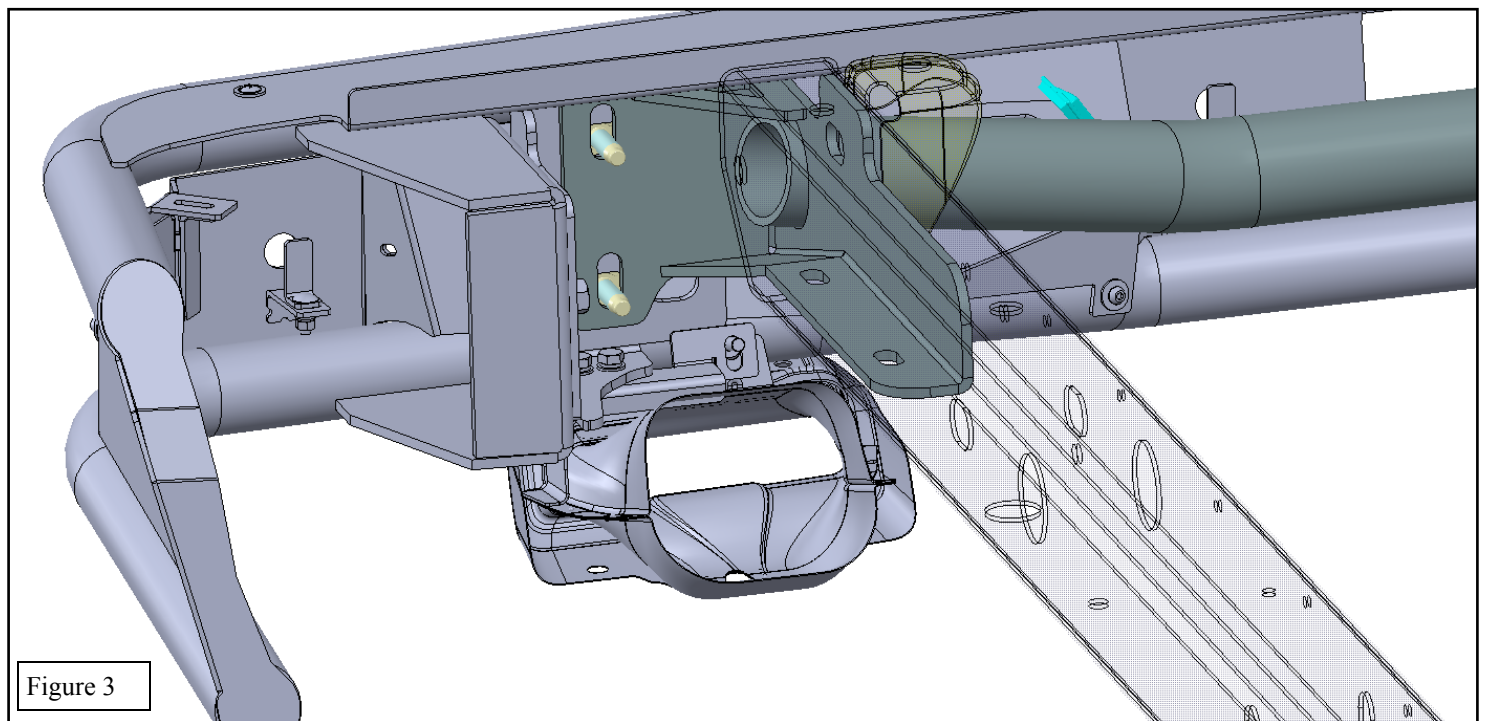
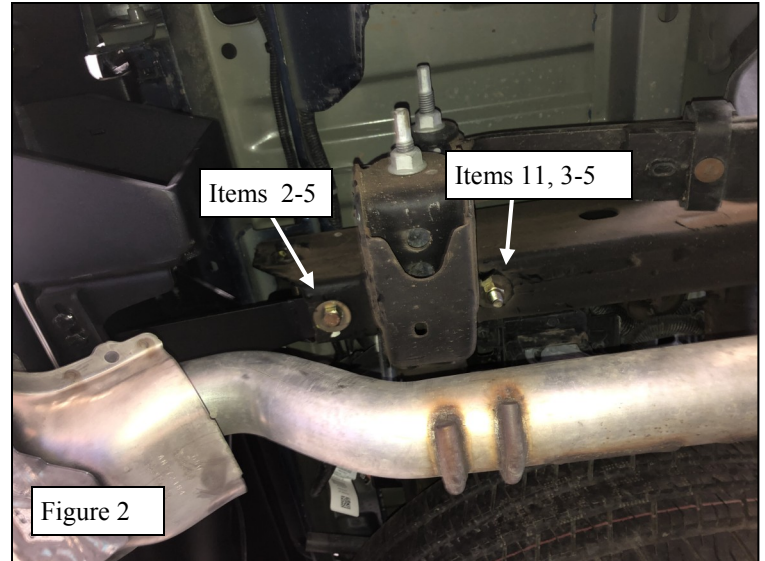
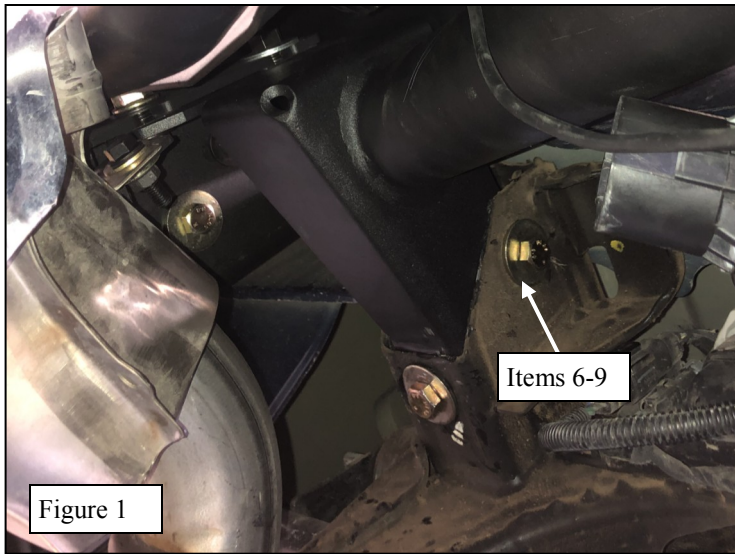


NOTE: THIS HITCH IS TO BE USED WITH THE OUTLAW REAR BUMPER ONLY

PROCEDURE

1. Remove contents from box, verify if all parts listed are present and free from damage.
Carefully read and understand all instructions before attempting installation.
Failure to identify damage before installation could lead to a rejection of any claim.

2. This hitch will be assembled with the outlaw rear bumper. Once the OE bumper and hitch are removed, this hitch will then be installed **before** the outlaw bumper. The outlaw bumper mounts to this hitch.
3. Loosely assemble the rear hitch using the supplied M12 and M14 hardware. **See Figures 1-3**
4. Proceed with installing the outlaw rear bumper (sold separately).



4. Adjust the bumper and hitch assembly as necessary. Torque all hardware as specified: M12 to 55-60 ft.-lbs., M14 to 90-100 ft.-lbs.

INSTALLATION COMPLETED



CARE INSTRUCTIONS

- REGULAR WAXING IS RECOMMENDED. DO NOT USE ANY TYPE OF POLISH OR WAX THAT MAY CONTAIN ABRASIVES.
- STAINLESS STEEL PRODUCTS CAN BE CLEANED WITH MILD SOAP AND WATER. STAINLESS STEEL POLISH SHOULD BE USED TO POLISH SMALL SCRATCHES.
- GLOSS BLACK FINISHES SHOULD BE CLEANED WITH MILD SOAP AND WATER.

WESTIN Westin Automotive Products, Inc.
320 W. Covina Blvd
San Dimas, Ca. 91773

Thank you for choosing Westin products
for additional installation assistance please call
Customer Service (800) 793-7846
www.westinautomotive.com



WARNING



Failure to follow these instructions could lead to death, personal injury, and / or property damage.

Failure to follow these instructions could lead to death, personal injury, and / or property damage.

FASTENERS:

All Westin supplied fasteners must be utilized and installed in accordance with the installation instructions and apply torque to the specifications as defined. **DOUBLE CHECK ALL FASTENERS BEFORE INITIAL USE, AND PERIODICALLY IN THE FUTURE TO ENSURE PROPER FUNCTION AND SAFETY.**

DRILLING:

Most Westin products do not require drilling for installation. If drilling is defined as required, use caution when drilling a vehicle. **FAILURE TO REVIEW AN AREA TO BE DRILLED MAY RESULT IN PERSONAL INJURY AND/OR INJURY TO OTHERS AS WELL AS VEHICLE DAMAGE.**

EYE PROTECTION:

ALWAYS WEAR SAFETY GLASSES OR GOGGLES DURING THE INSTALLATION PROCESS TO AVOID PERSONAL INJURY.

MAXIMUM TOWING/CARRYING CAPACITY: (if applicable)

The Westin Receiver Hitches will have a visible tow rating label affixed directly on the product. User should never exceed the vehicle manufacturers maximum tow and weight rating regardless of the capacity of the hitch. **FAILURE TO FOLLOW THESE GUIDELINES WILL VOID THE WESTIN WARRANTY AND MAY RESULT IN PERSONAL INJURY AND/OR INJURY TO OTHERS AS WELL AS VEHICLE DAMAGE.**

FOR CALIFORNIA RESIDENTS ONLY-PROP 65 WARNING:

Some products may contain chemicals such as DEHP, which can cause cancer, birth defects or other reproductive harm. For more info go to www.p65warnings.ca.gov



Westin Automotive Products, Inc.
320 W. Covina Blvd
San Dimas, Ca. 91773